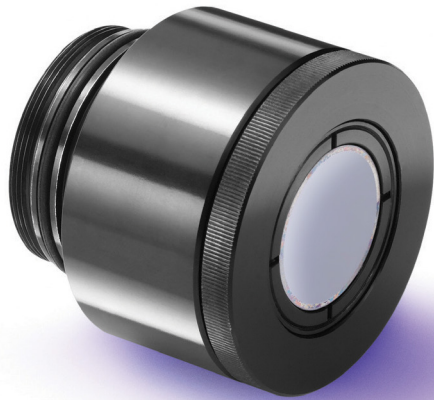
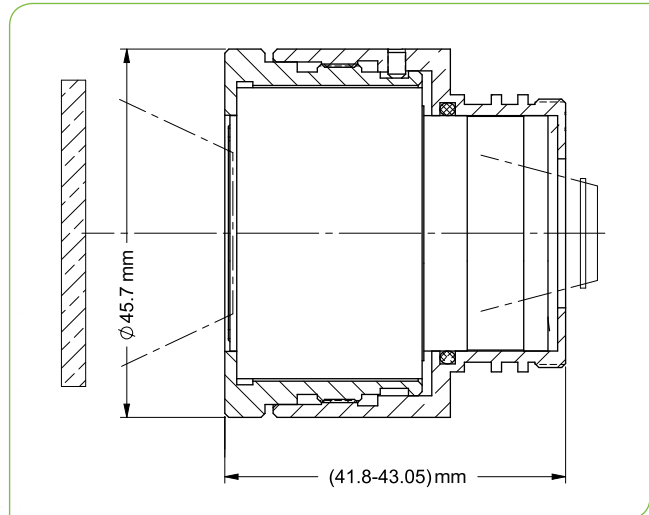


SupIR 15.6mm f/1.0, Athermalized Manual Focus 680054

TYPICAL ICD*



HD
FORMAT



LWIR | 1-FOV

HFOV	320x240	384x288	640x480	1024x768
17μ	19.8°	23.9°	40.0°	
12μ	14.0°	16.8°	28.1°	45.4°

Property	Value				
Optical					
Focal Length	15.6mm				
F#	1.0				
Average transmission (8-12μm)	87% (HC)				
Back Focal Length	18mm in air				
Mechanical					
Focus Mechanism	Manually adjustable				
Depth of Field	5m to infinity				
Focus Range	0.75m to infinity				
Weight	see configurations table below				
Max. Dimensions	see configurations table below				
Environmental					
Operation Temperature	-40°C to +85°C				
Storage Temperature	-45°C to +100°C				
Sealing	IP 67 front element only, focus mechanics unsealed				
Configurations	Weight (gr)	Dimensions	BWD**	Thread	Coating
680054-001	125	Ø45.7mm x (41.8-43.05)mm	3.9	1.3125-32 UNS	HC, MWIR block filter
680054-003	123	Ø45.7mm x (35.9-37.1)mm	9.7	M34x0.5	

* The ICD drawing provided here is primarily a representation and may not accurately reflect the product's actual dimensions and specifications. For precise integration specifications contact your local sales representative.

** The BWD value is calculated for a unique detector setup with varying sealing windows in terms of thickness and material. For more details, contact your local sales representative.